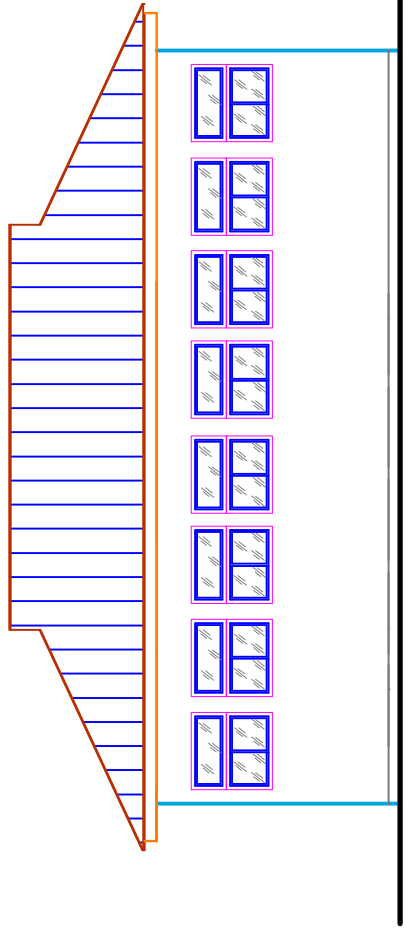
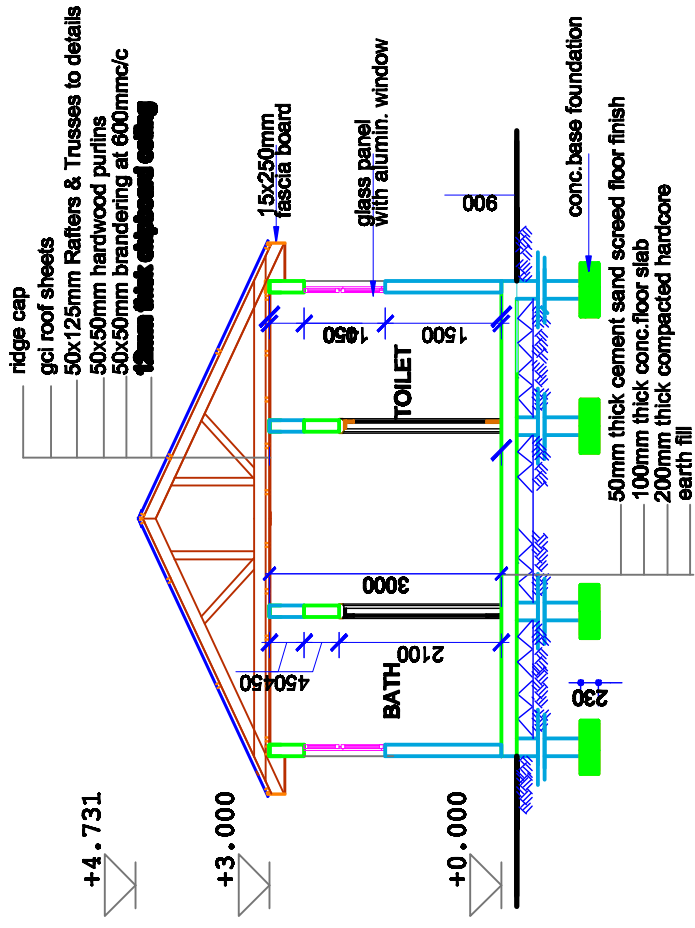


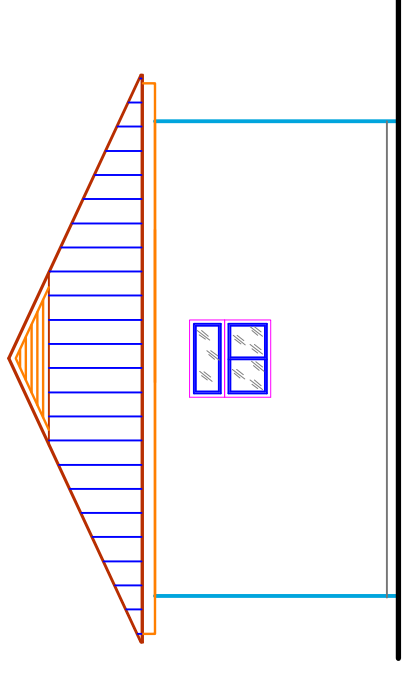
FRONT ELEVATION



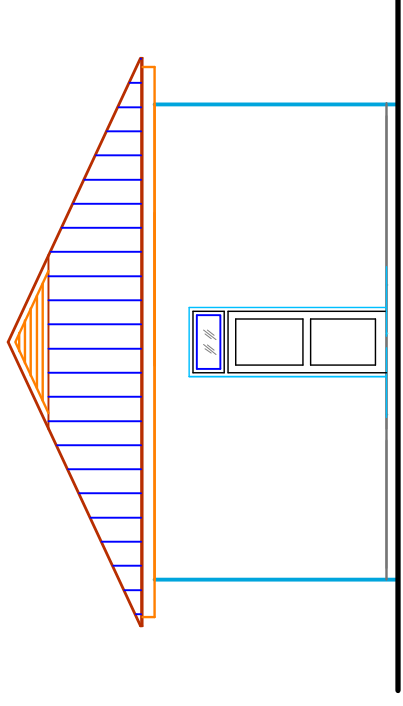
REAR SIDE ELEVATION



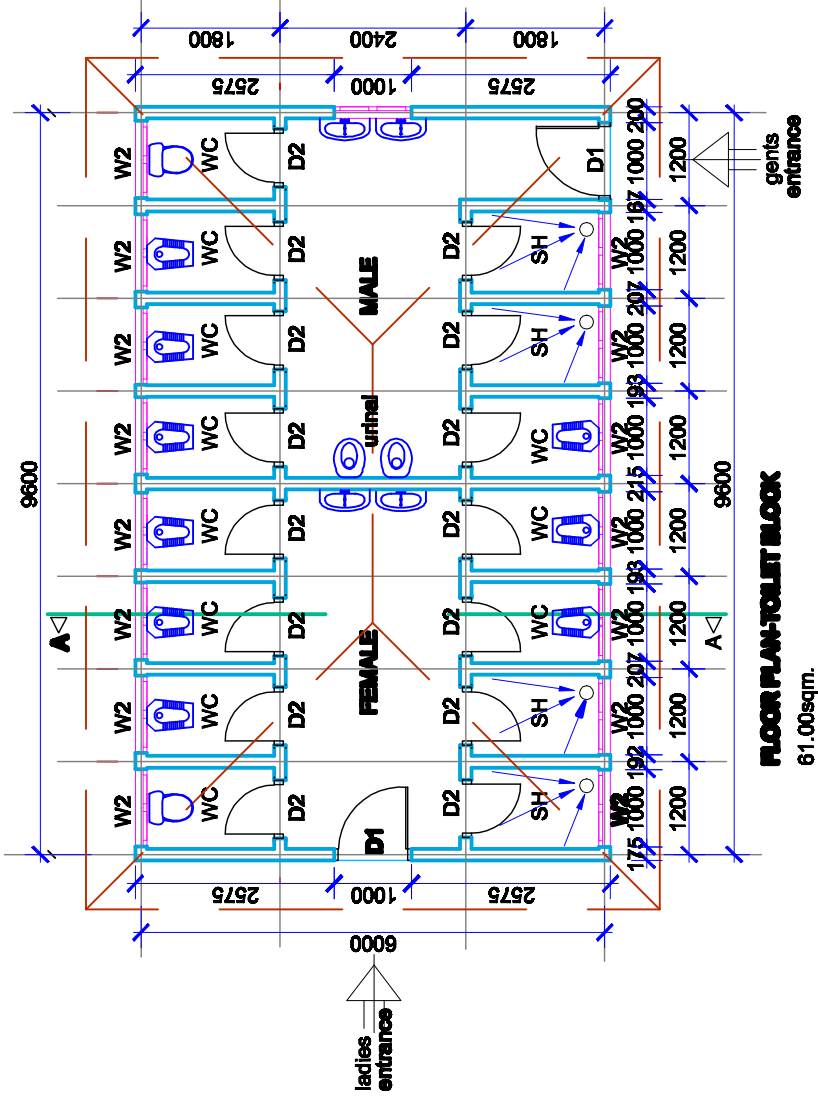
SECTION AA TOILET BLOCK



RIGHT SIDE ELEVATION



LEFT SIDE ELEVATION



FLOOR PLAN-TOILET BLOCK
61.00sqm.

notes:

project:
**PROPOSED VOCATIONAL CENTRE
ON PLOT NO.30 BLOCK 19
BUNJU, KINONDONI MUNICIPALITY-DSM.**

client:
**TUWAPENDE WATOTO
P.O.BOX 60705
DAR ES SALAAM.**

consultants:
**M/S.J.M. Mbaruck, Architects
P.O.Box 19727
Tel.2775557, Fax 2775527,
E-mail:mbaruck_a@kicheko.com
Dar es salaam, Tanzania.**

drawn by: **Shomanih**

scale: **1:100**

date: **febr.2016**

diag no.

AR/06